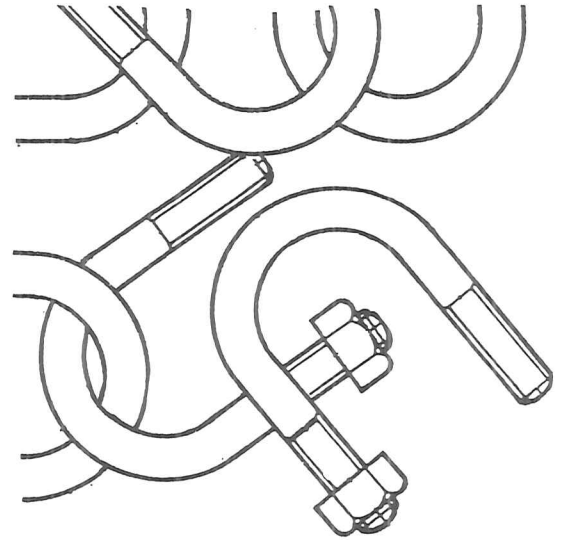
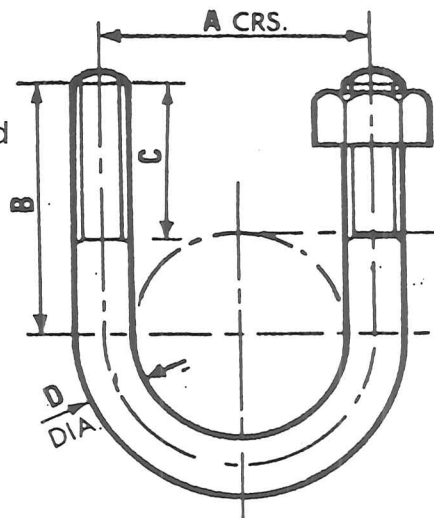


'U' Bolts And 'J' bolts From *Akeron* (U.K.) Ltd

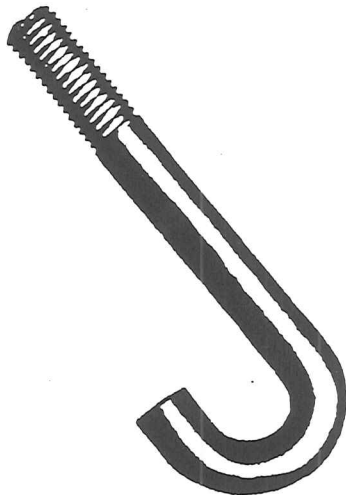
'U' BOLTS - supplied in galvanised mild steel
in stainless steel
in copper
in aluminium

Material diameter
6mm to 14 mm
all other dimensions
and thread require-
ments to be specified
by customer in
accordance with the
parameters indicated
by diagram.

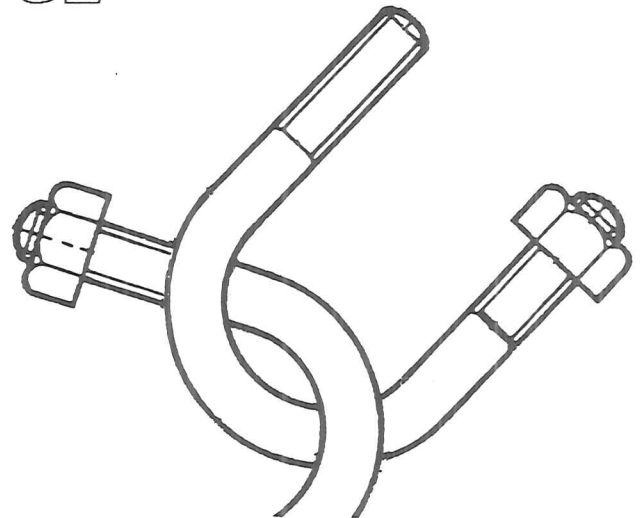


There's no reason
why **U** can't
enJoy the
benefit of our
products as well

AND 'J' BOLTS



SL



Sheet metal work and light
fabrications undertaken

akeron (U.K.) Ltd., 15 Terminal Close, Shoeburyness, Essex SS3 9BN.
Telephone/Facsimile (01702) 297101.